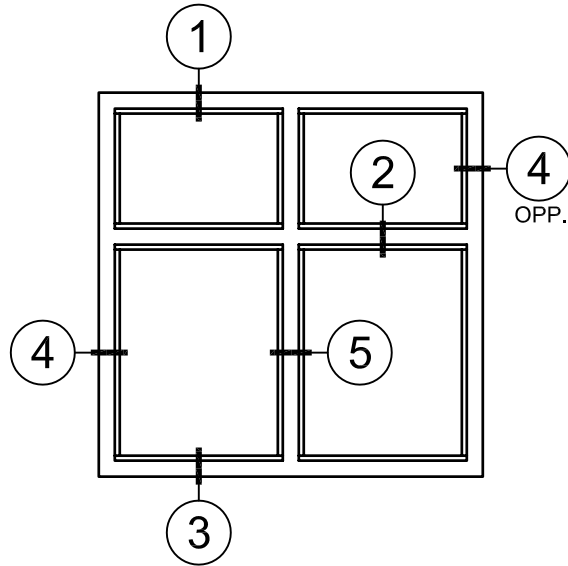
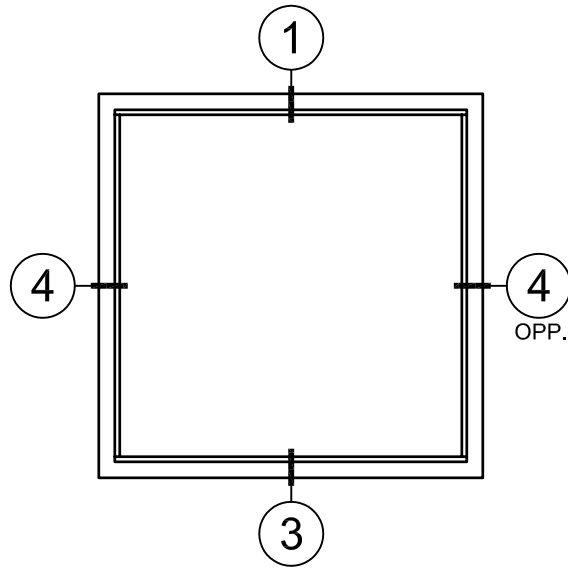


Fire Windows and Doors

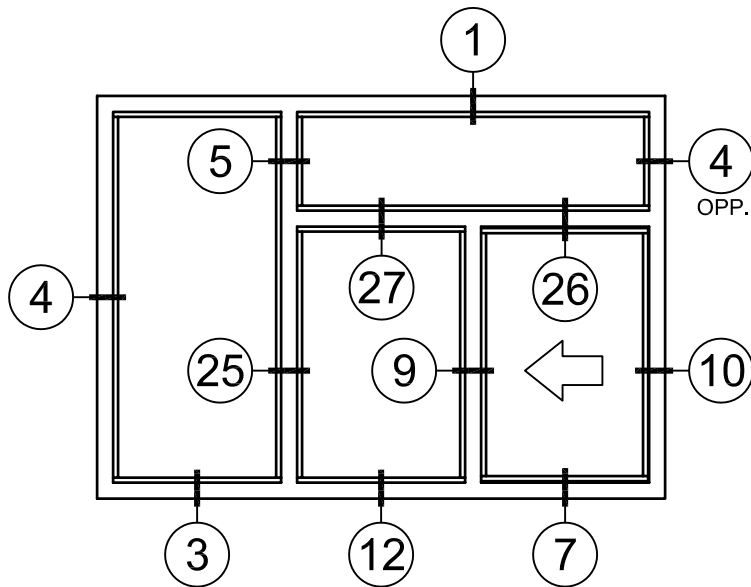
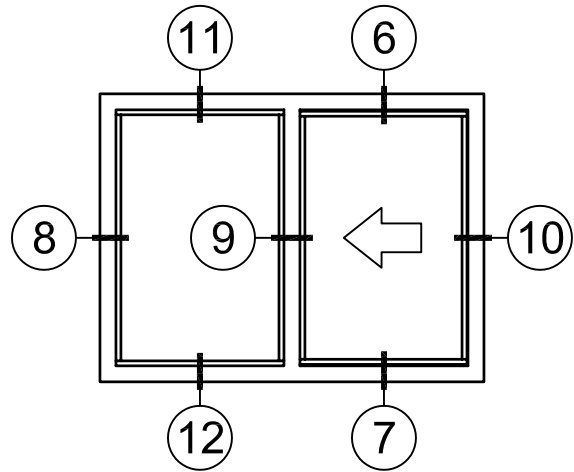
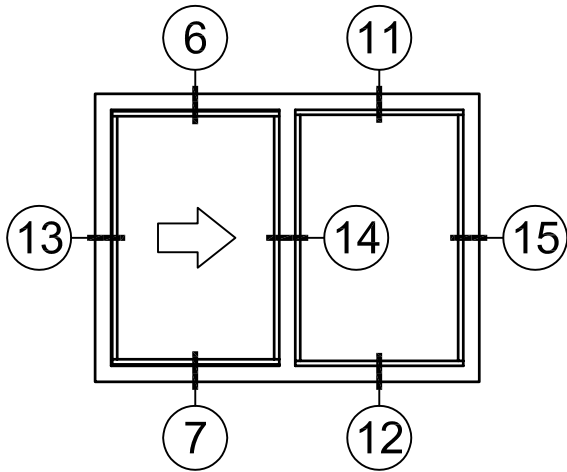
FIRE RATED STEEL WINDOWS
ELEVATIONS - FIXED (F)
INTERIOR



ALL ELEVATIONS ARE VIEWED FROM THE EXTERIOR OR SECURE SIDE.

Fire Windows and Doors

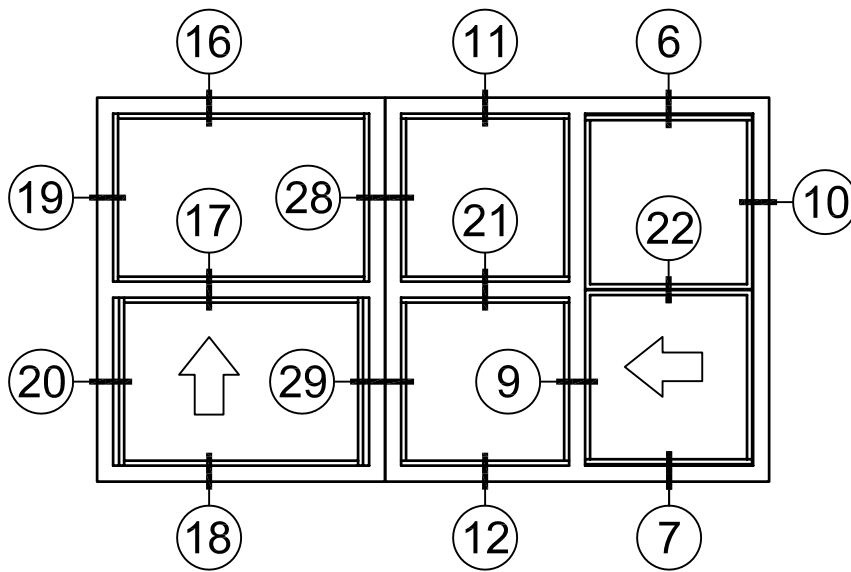
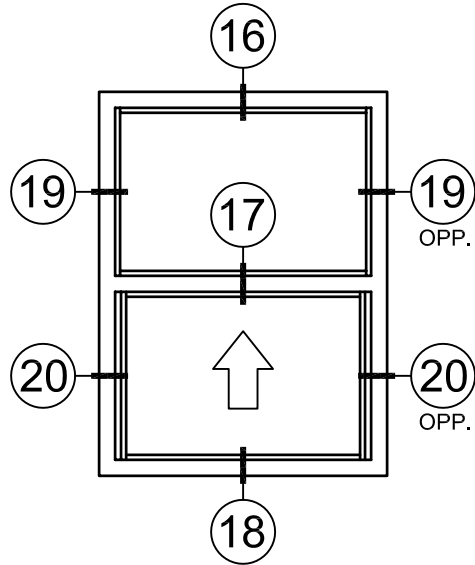
FIRE RATED STEEL WINDOWS
ELEVATIONS - HORIZONTAL
SLIDER (HS) - INTERIOR



ALL ELEVATIONS ARE VIEWED FROM THE EXTERIOR OR SECURE SIDE.

Fire Windows and Doors

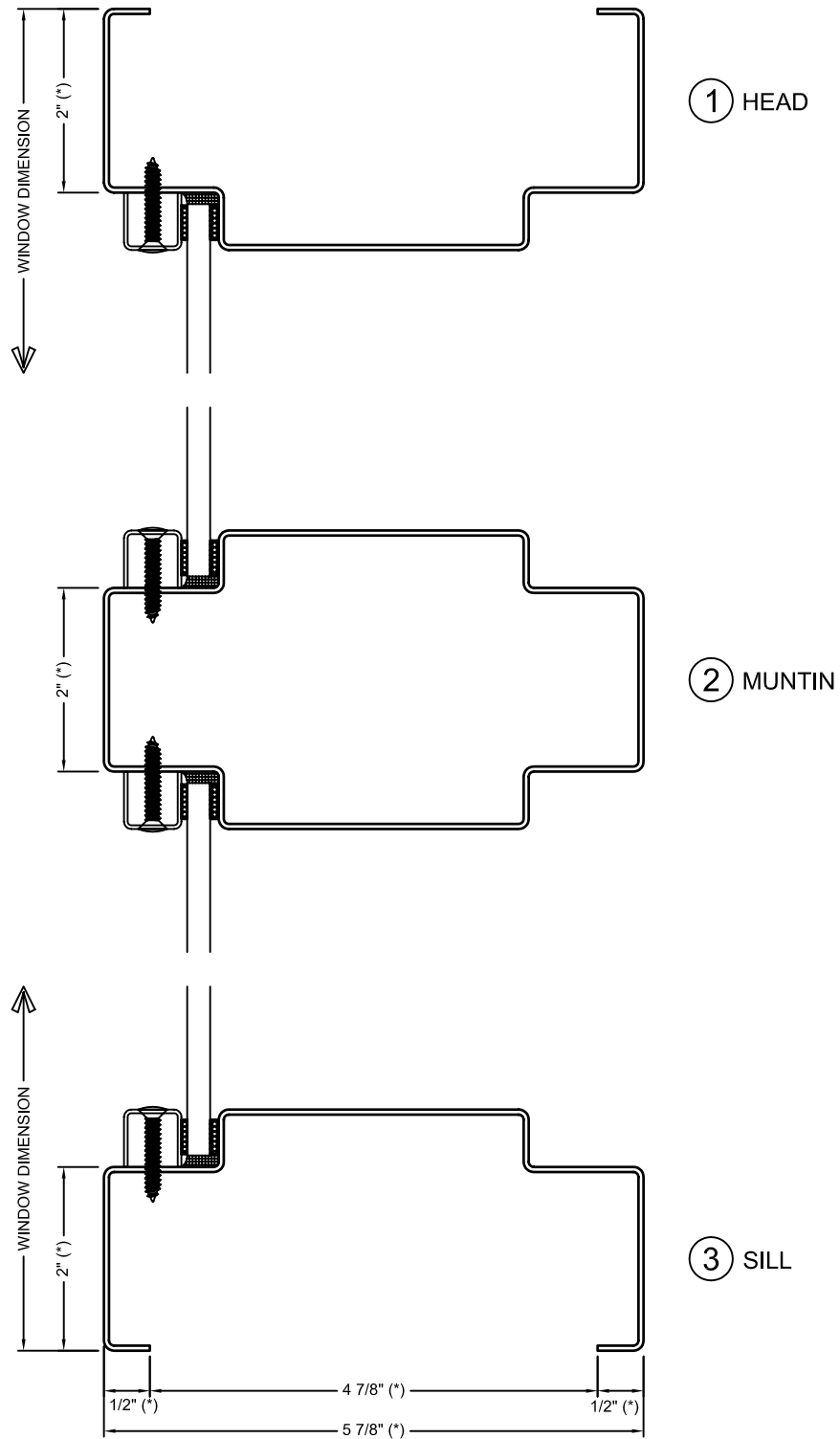
FIRE RATED STEEL WINDOWS
ELEVATIONS - SINGLE HUNG (SH)
& HORIZONTAL SLIDER (HS) - INTERIOR



ALL ELEVATIONS ARE VIEWED FROM THE EXTERIOR OR SECURE SIDE.

Fire Windows and Doors

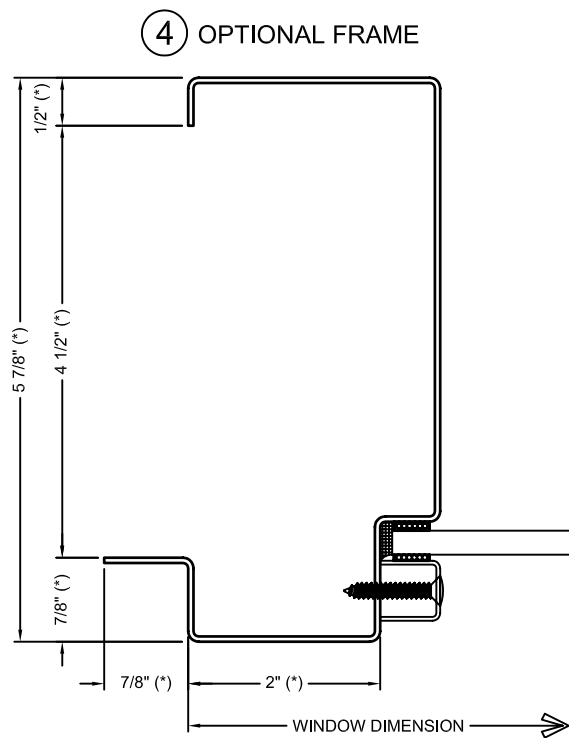
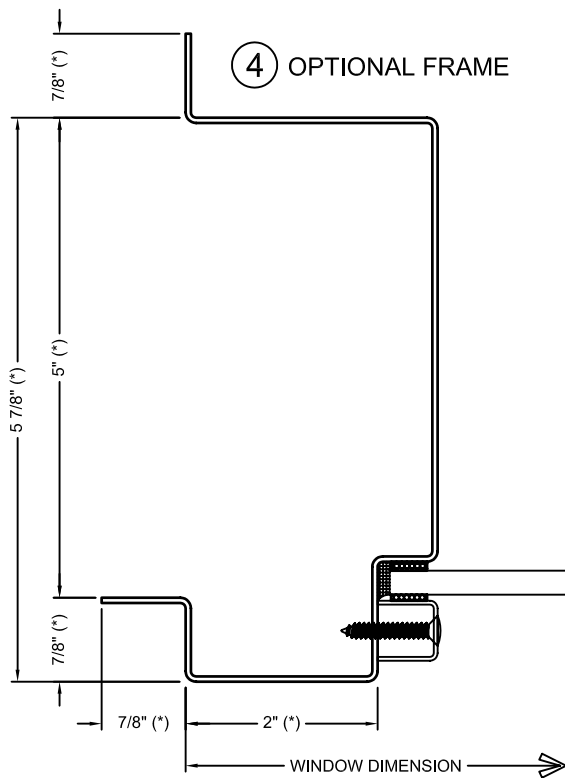
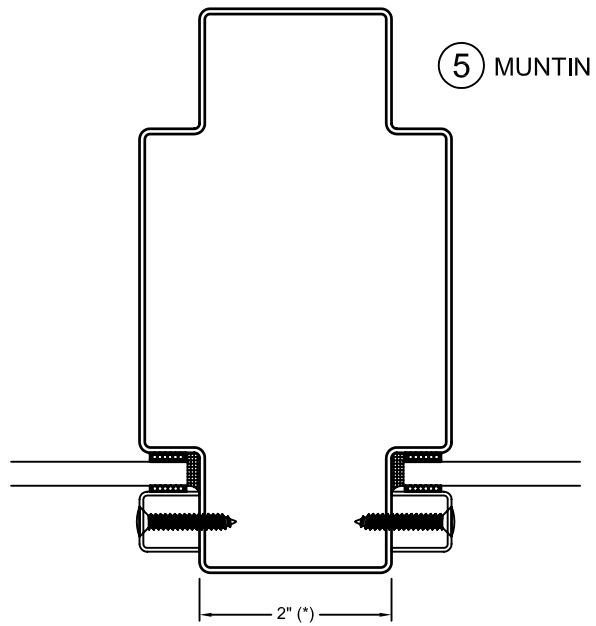
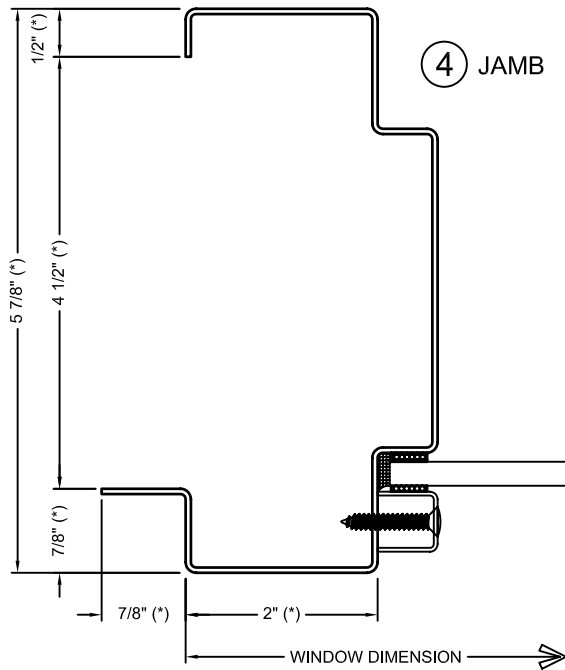
FIRE RATED STEEL WINDOWS
DETAILS - FIXED (F)
INTERIOR



ALL DETAILS ARE VIEWED AS EXTERIOR ON LEFT.
SHOWN AT HALF SCALE
(*) DENOTES DIMENSIONS THAT ARE SHOWN AT MINIMUM,
BUT MAY BE INCREASED.

Fire Windows and Doors

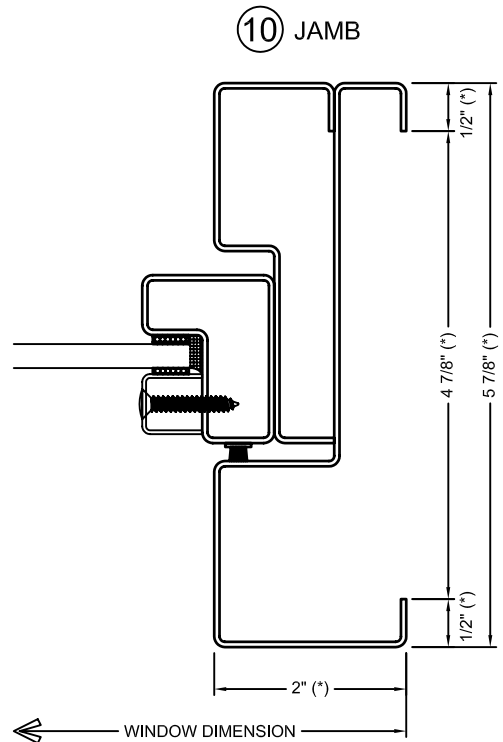
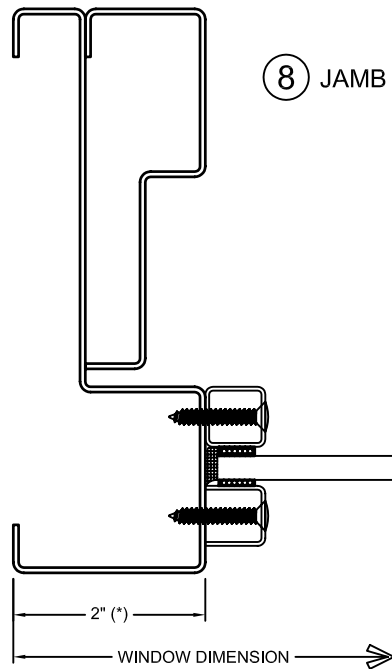
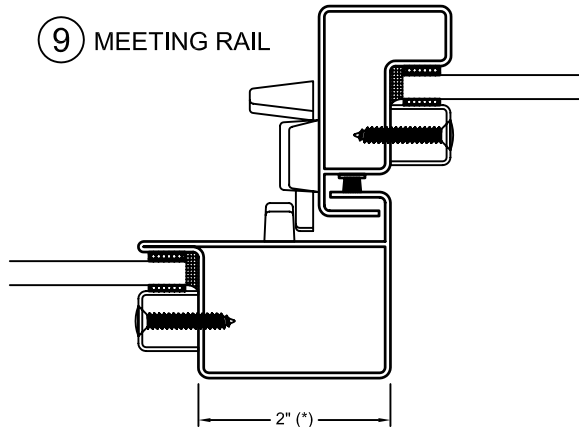
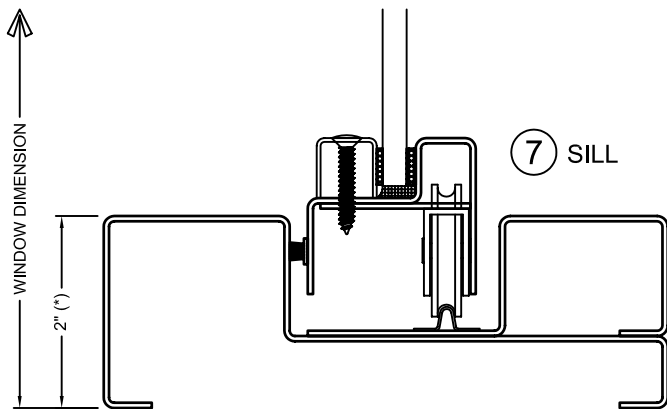
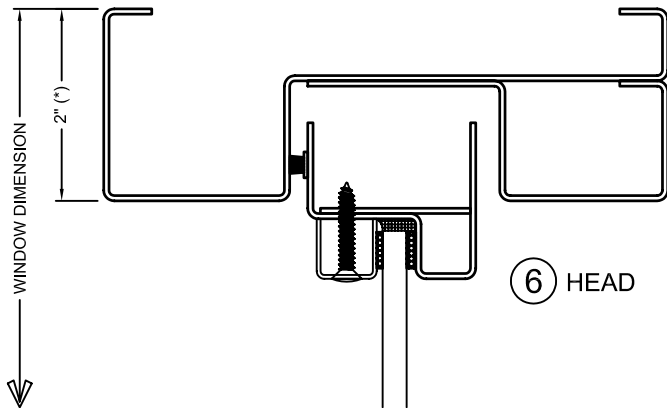
FIRE RATED STEEL WINDOWS
 DETAILS - FIXED (F)
 INTERIOR



ALL DETAILS ARE VIEWED AS EXTERIOR ON LEFT.
 SHOWN AT HALF SCALE
 (*) DENOTES DIMENSIONS THAT ARE SHOWN AT MINIMUM,
 BUT MAY BE INCREASED.

Fire Windows and Doors

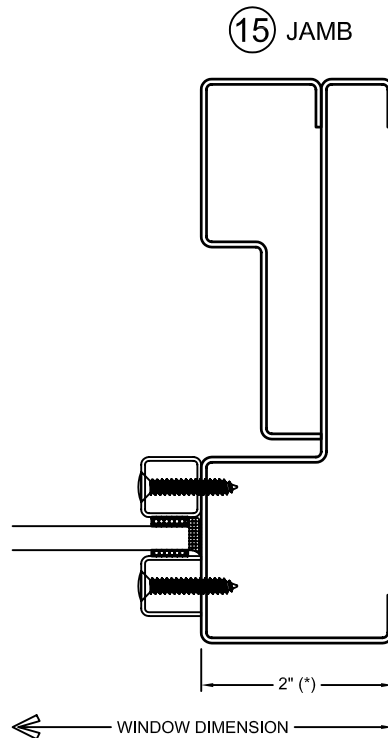
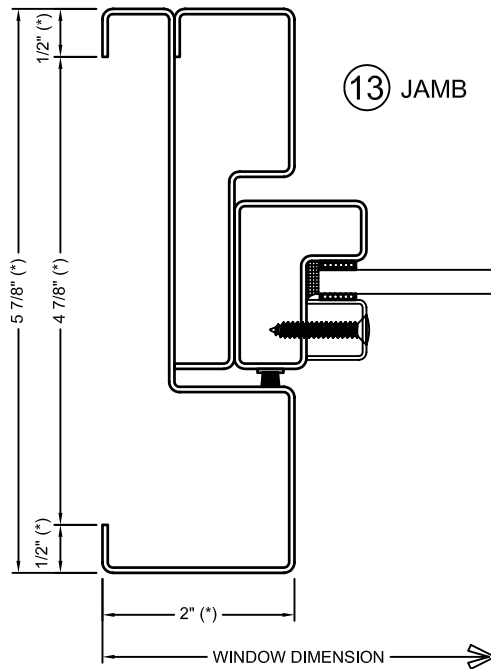
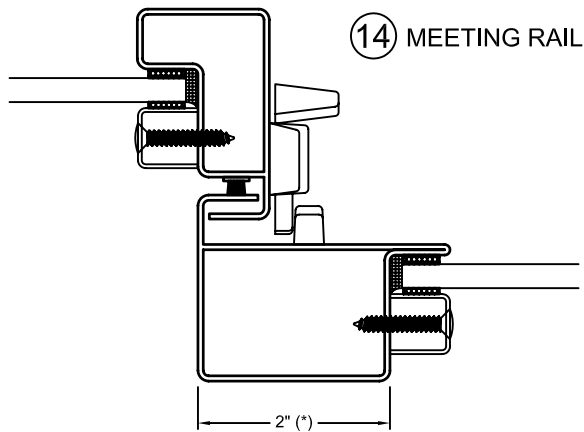
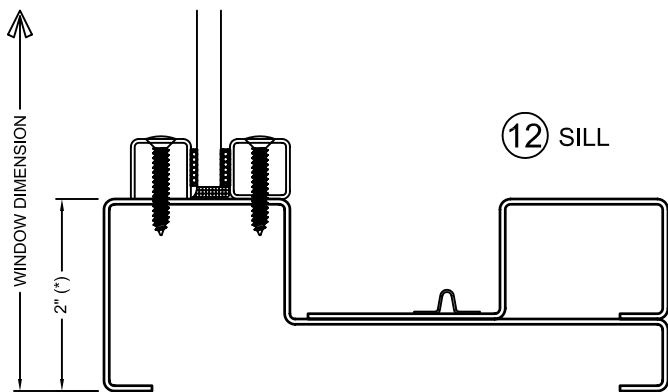
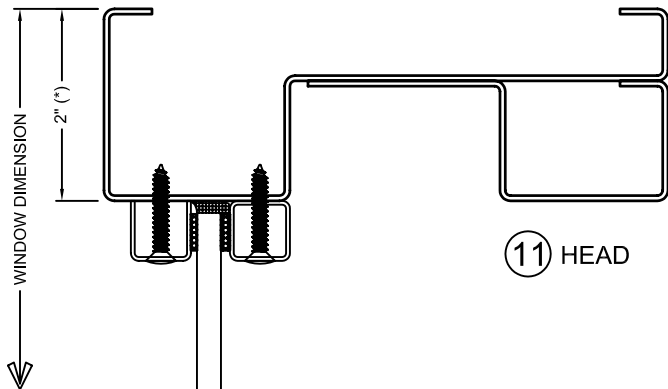
FIRE RATED STEEL WINDOWS
 DETAILS - HORIZONTAL SLIDER (HS)
 INTERIOR



ALL DETAILS ARE VIEWED AS EXTERIOR ON LEFT.
 SHOWN AT HALF SCALE
 (*) DENOTES DIMENSIONS THAT ARE SHOWN AT MINIMUM,
 BUT MAY BE INCREASED.

Fire Windows and Doors

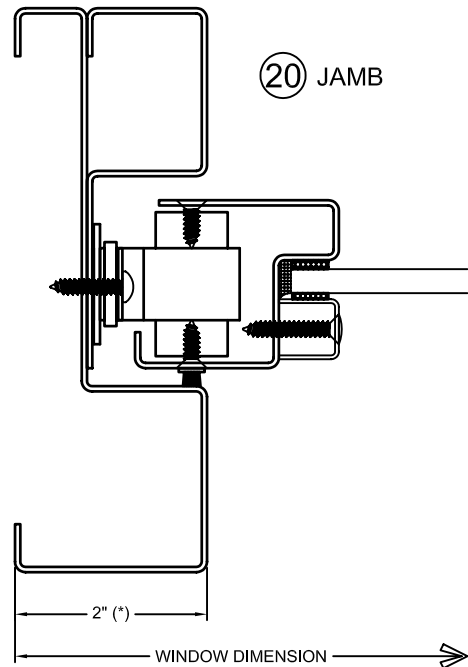
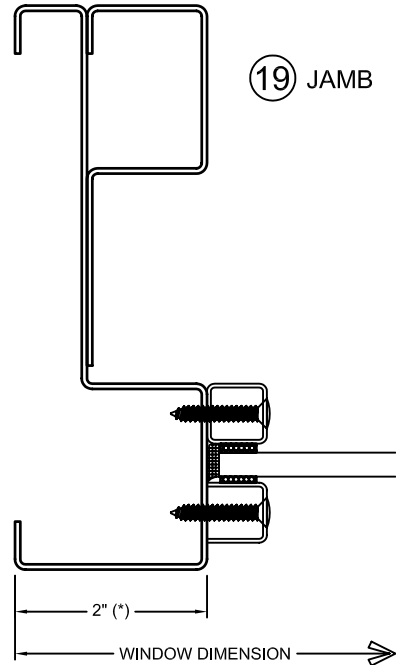
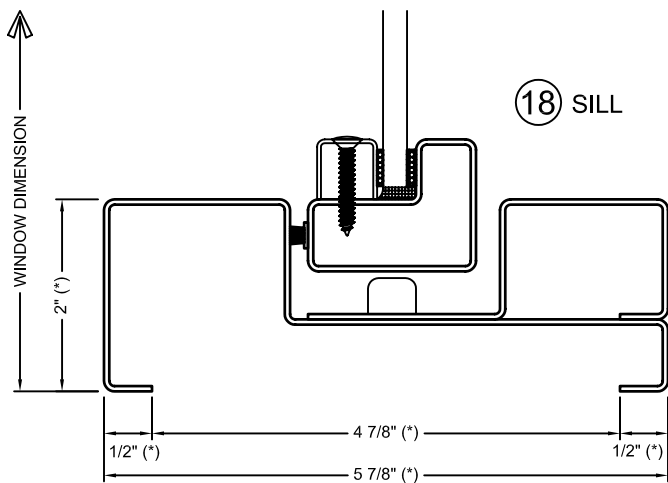
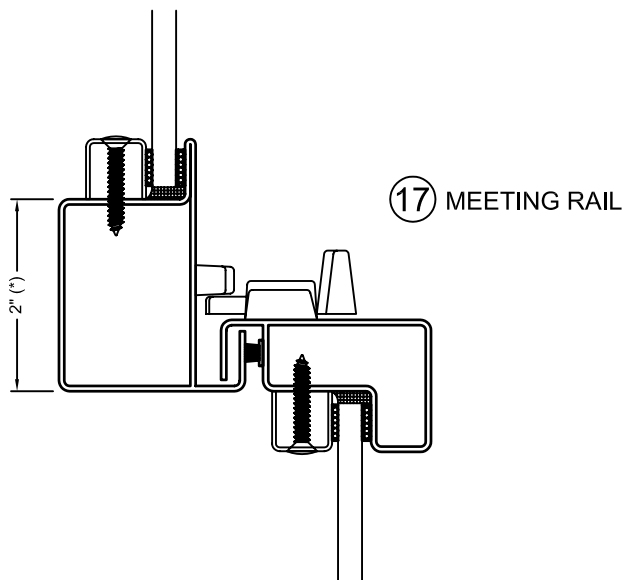
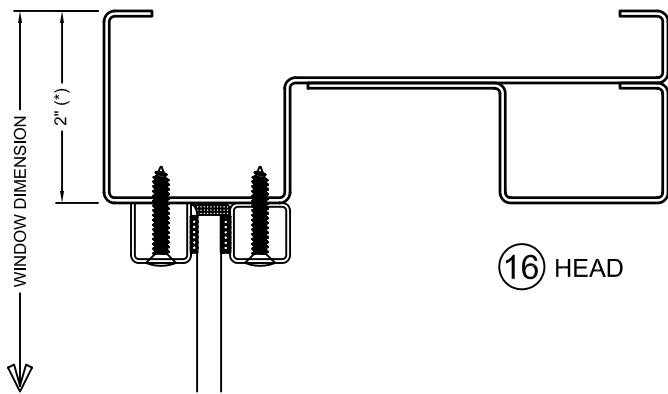
FIRE RATED STEEL WINDOWS
 DETAILS - HORIZONTAL SLIDER (HS)
 INTERIOR



ALL DETAILS ARE VIEWED AS EXTERIOR ON LEFT.
 SHOWN AT HALF SCALE
 (*) DENOTES DIMENSIONS THAT ARE SHOWN AT MINIMUM,
 BUT MAY BE INCREASED.

Fire Windows and Doors

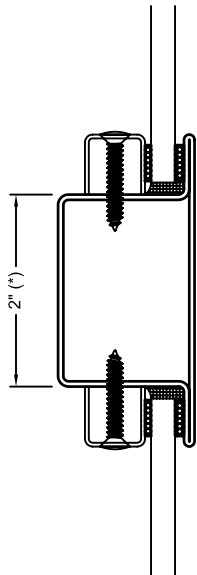
FIRE RATED STEEL WINDOWS
 DETAILS - SINGLE HUNG (SH)
 INTERIOR



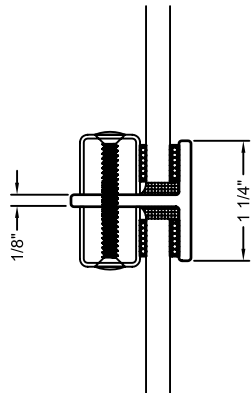
ALL DETAILS ARE VIEWED AS EXTERIOR ON LEFT.
 SHOWN AT HALF SCALE
 (*) DENOTES DIMENSIONS THAT ARE SHOWN AT MINIMUM,
 BUT MAY BE INCREASED.

Fire Windows and Doors

FIRE RATED STEEL WINDOWS
DETAILS - MUNTINS
AND SIDELITE - INTERIOR

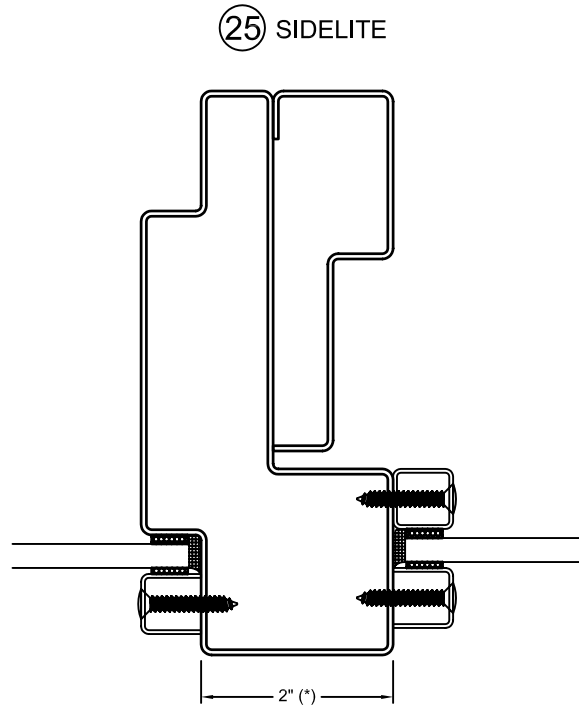
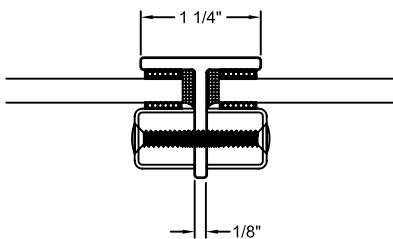


21 MUNTIN



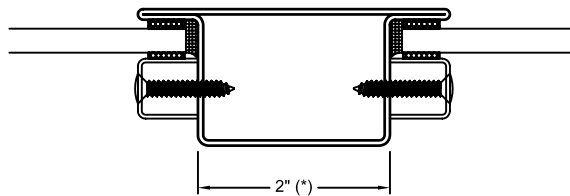
22 MUNTIN

23 MUNTIN



25 SIDELITE

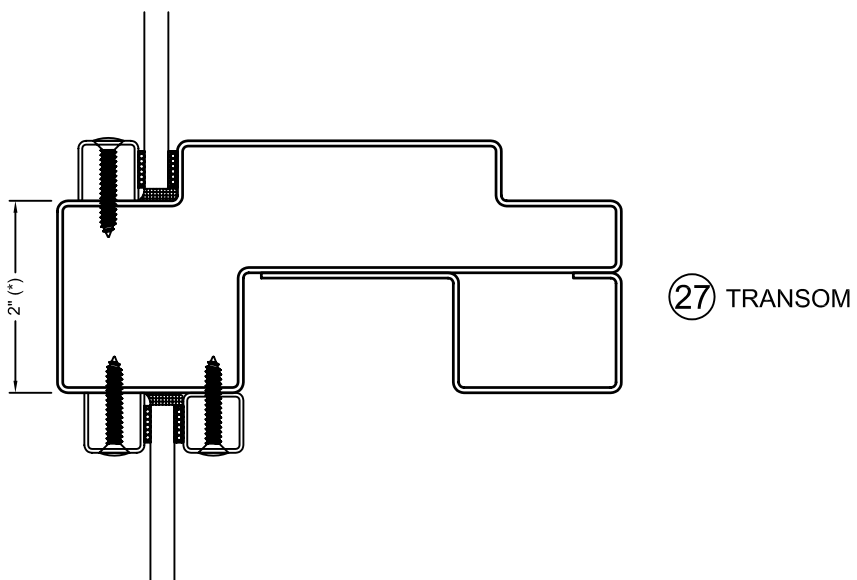
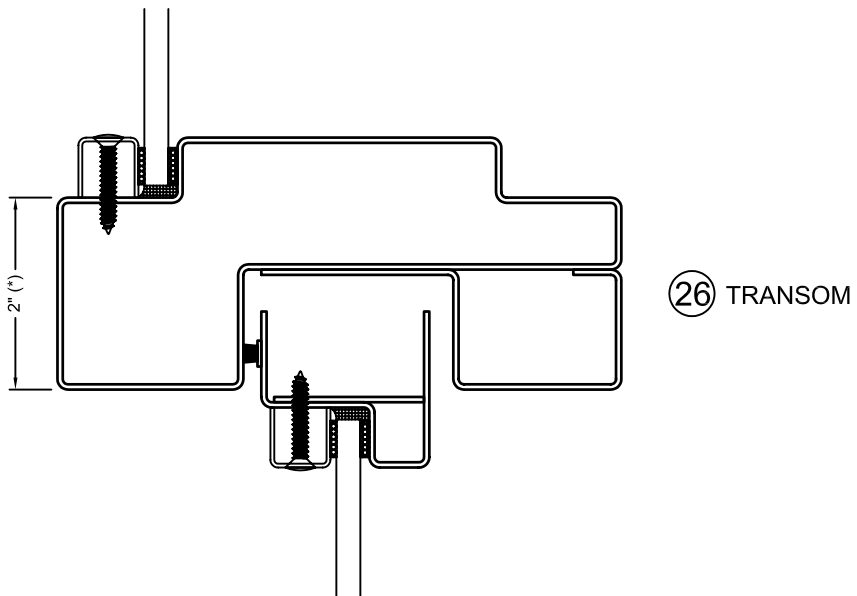
24 MUNTIN



ALL DETAILS ARE VIEWED AS EXTERIOR ON LEFT.
SHOWN AT HALF SCALE
(*) DENOTES DIMENSIONS THAT ARE SHOWN AT MINIMUM,
BUT MAY BE INCREASED.

Fire Windows and Doors

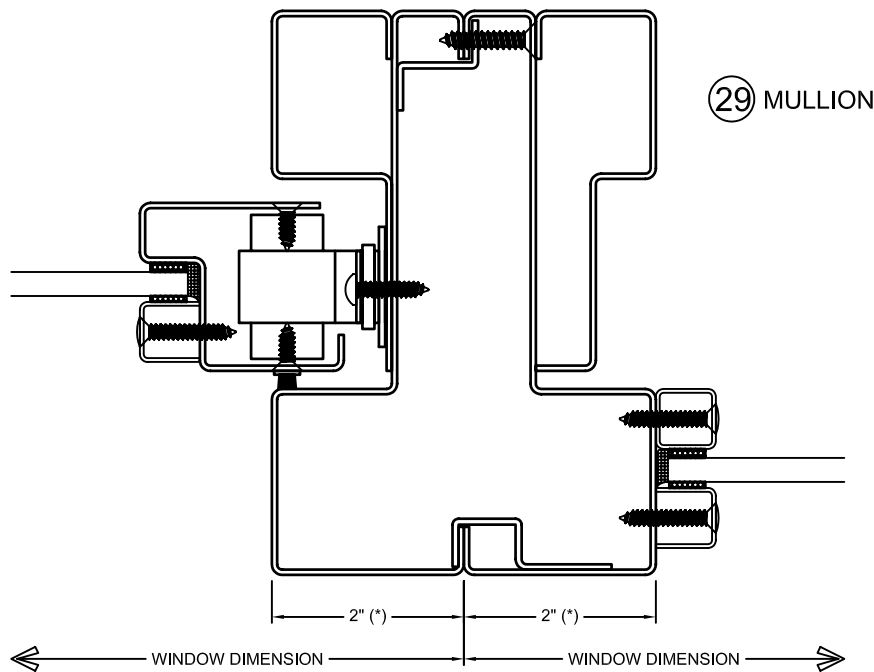
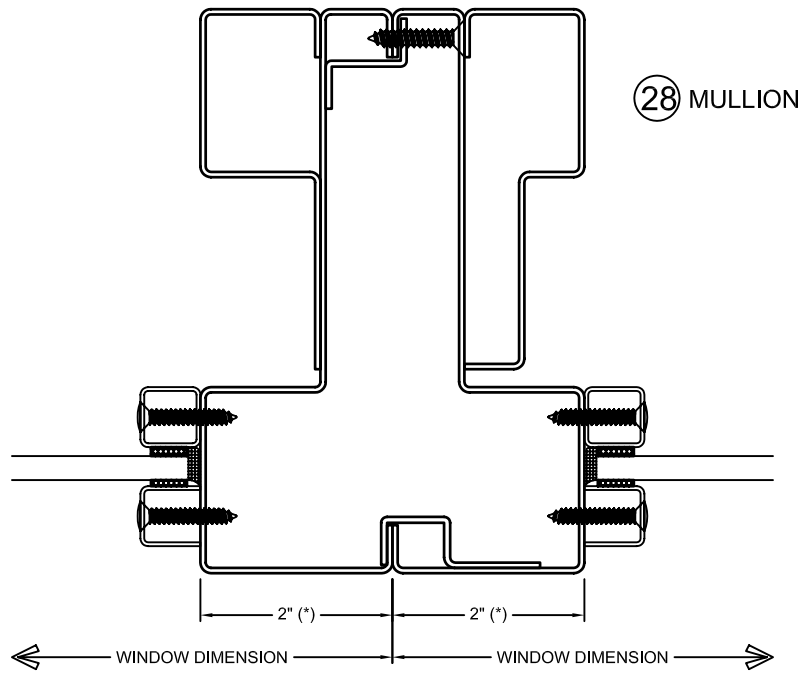
FIRE RATED STEEL WINDOWS
DETAILS - TRANSOMS
INTERIOR



ALL DETAILS ARE VIEWED AS EXTERIOR ON LEFT.
SHOWN AT HALF SCALE
(*) DENOTES DIMENSIONS THAT ARE SHOWN AT MINIMUM,
BUT MAY BE INCREASED.

Fire Windows and Doors

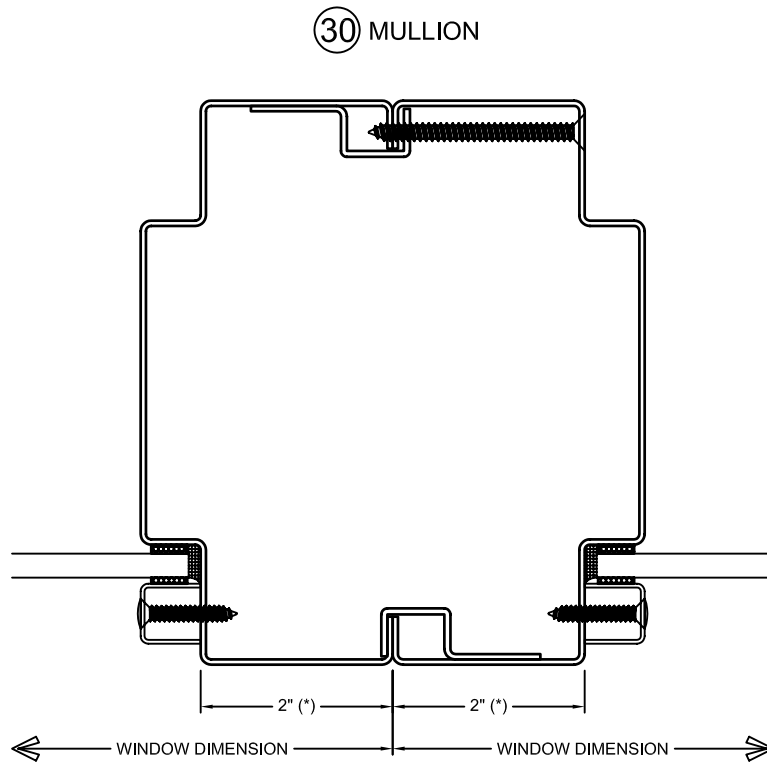
FIRE RATED STEEL WINDOWS
DETAILS - MULLIONS
INTERIOR



ALL DETAILS ARE VIEWED AS EXTERIOR ON LEFT.
SHOWN AT HALF SCALE
(*) DENOTES DIMENSIONS THAT ARE SHOWN AT MINIMUM,
BUT MAY BE INCREASED.

Fire Windows and Doors

FIRE RATED STEEL WINDOWS
DETAILS - MULLIONS
INTERIOR



ALL DETAILS ARE VIEWED AS EXTERIOR ON LEFT.
SHOWN AT HALF SCALE
(*) DENOTES DIMENSIONS THAT ARE SHOWN AT MINIMUM,
BUT MAY BE INCREASED.